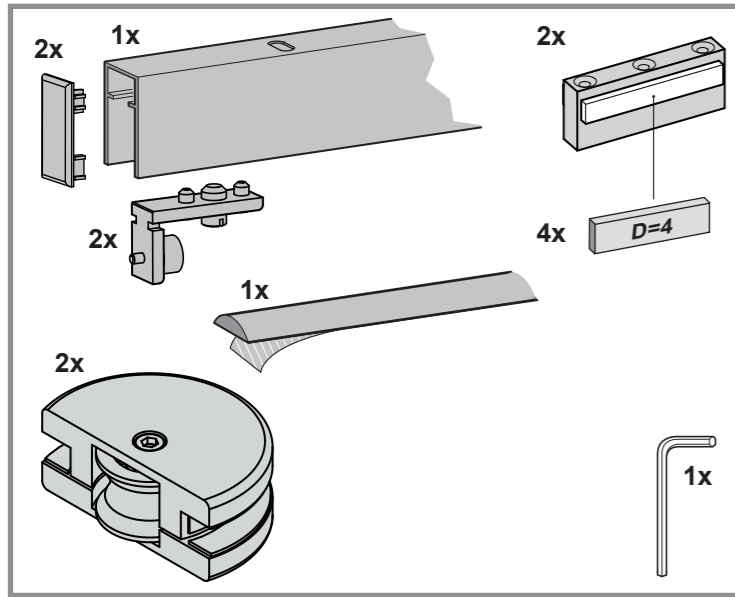
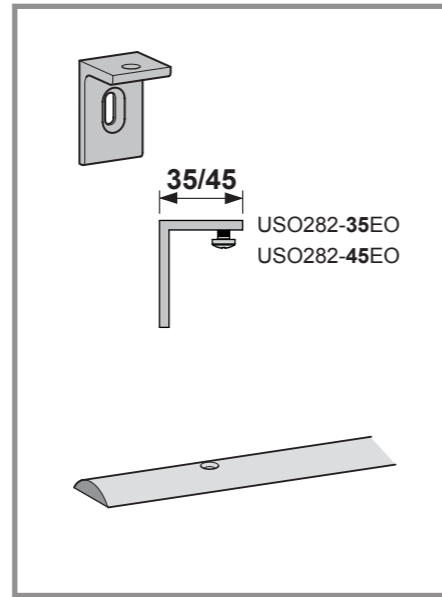


complete-set



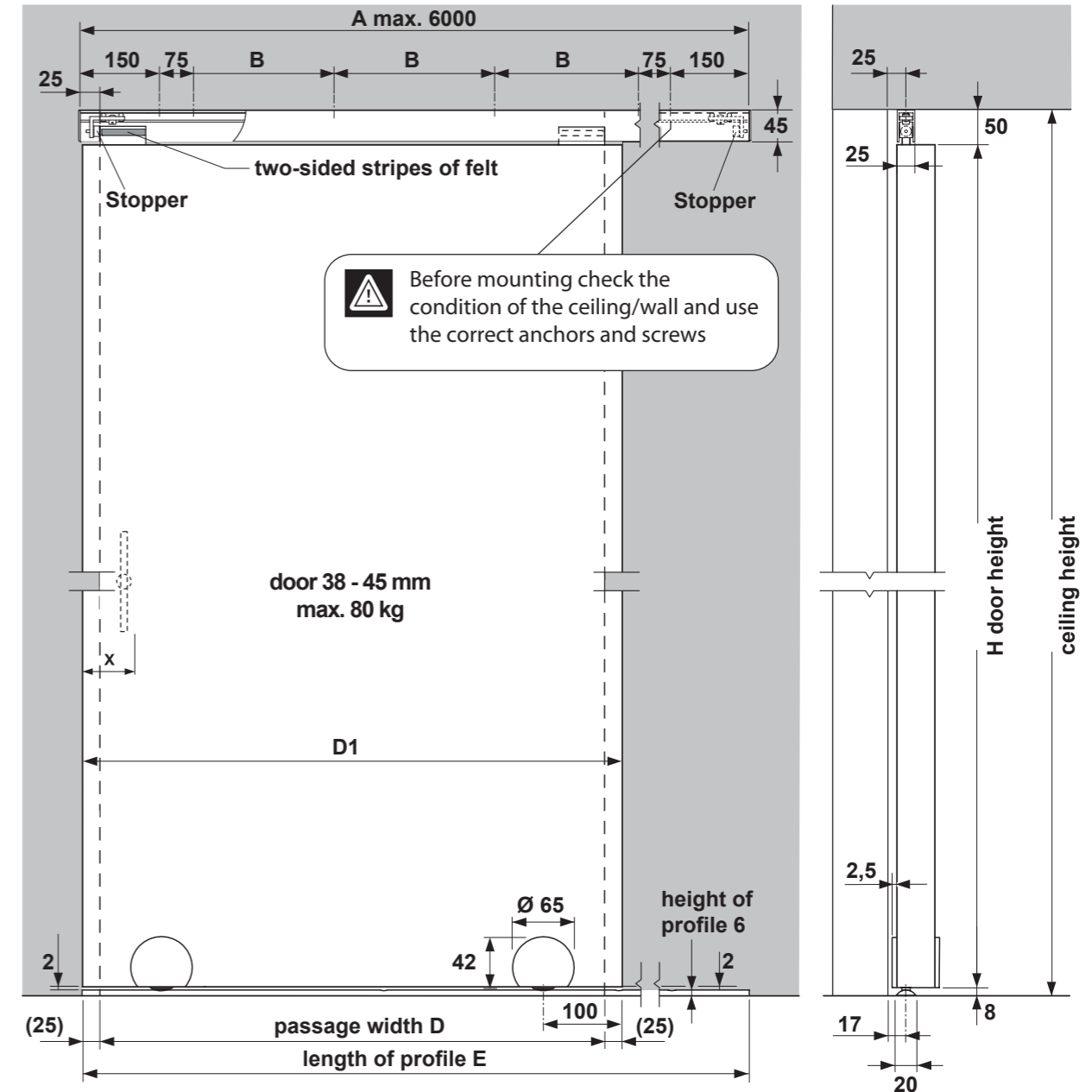
optional



- Attention
- Screw on
- Screw on
- Drill
- Dowels
- Level
- Perpendicular
- Measure Mark
- Visual inspection
- Tool
- Measure
- Clarify questions
- At right angle
- 2 people required

Installation instructions

Sliding door fittings Deeply Move for wood doors (38 - 45 mm)



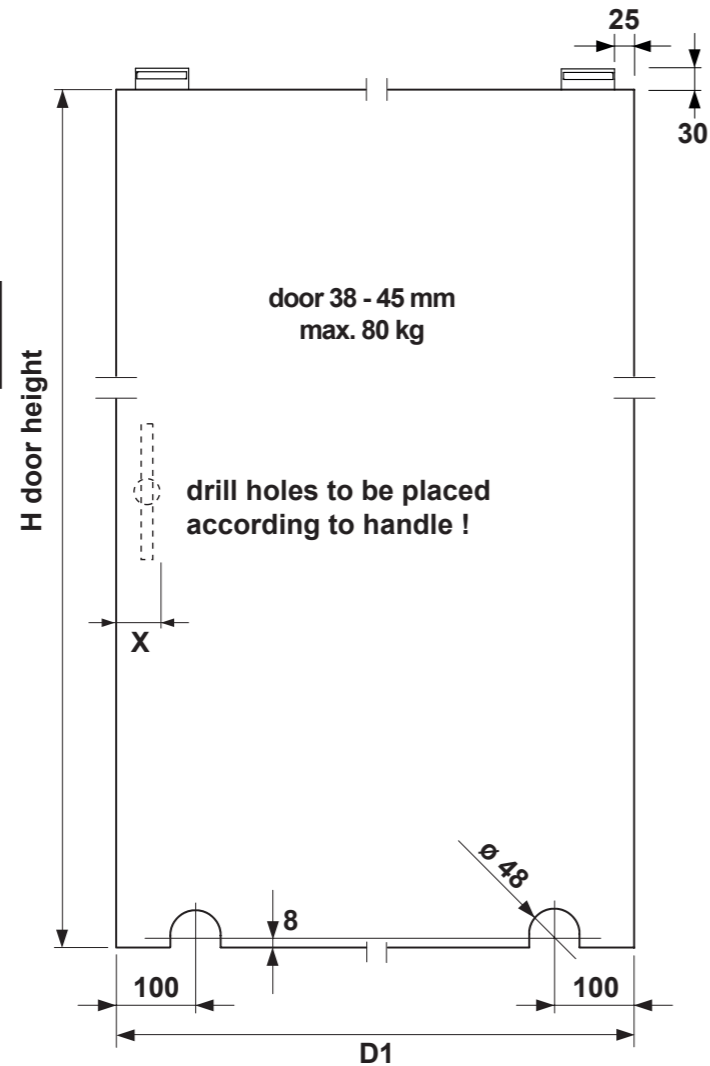
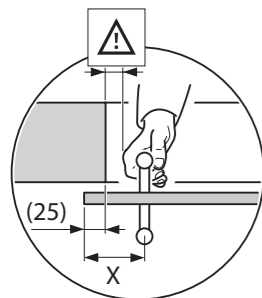
Comply with all general safety regulations when installing the sliding door fittings!

Installation to be completed by qualified licensed contractor.

Be sure to tighten all screw connections one week after starting to use the sliding door fittings!

Never use scouring agents to clean the sliding door fittings; rather use commercially available stainless-steel cleaners!

Make door handle clearance so that fingers do not get pinched when the door is used!



ABP beyerle

ABP-Beyerle GmbH

Im Schollengarten 24b, D-76646 Bruchsal (Germany)

Tel. +49-(0) 7257/9127 - 0, Fax +49-(0) 7257/9127 - 29, Email info@abp-beyerle.de, www.abp-beyerle.de

65_30_00.0059_GB_deeplymove_wood-032015-jb

complete-set's

Set-Nr.	A mm	B mm	D mm	E mm
112.00140	1900	725	750 - 900	1900
112.00141	2100	550	910 - 1000	2100
112.00142	2350	633/634	1010 - 1120	2350
112.00143	2600	717/716	1130 - 1250	2600

Right to make technical changes reserved - Dimensions in (mm) - Version 01.2015
© by ABP-Beyerle GmbH

ABP beyerle

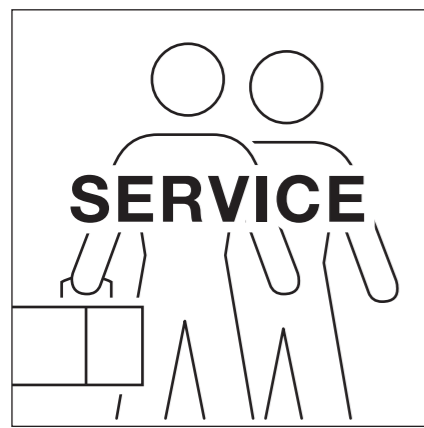


Abb. 1

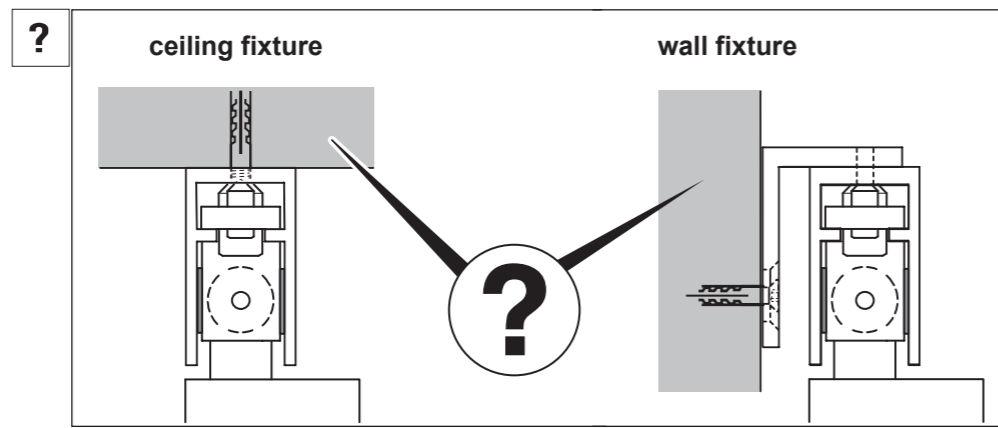


Abb. 2

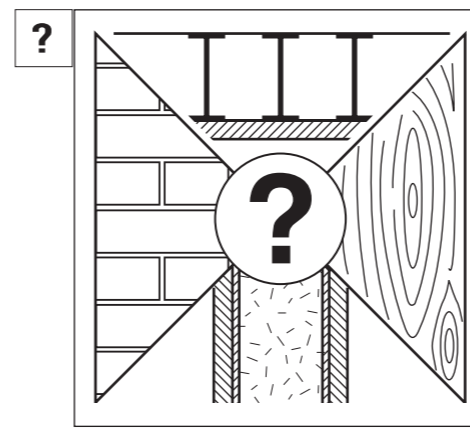


Abb. 3

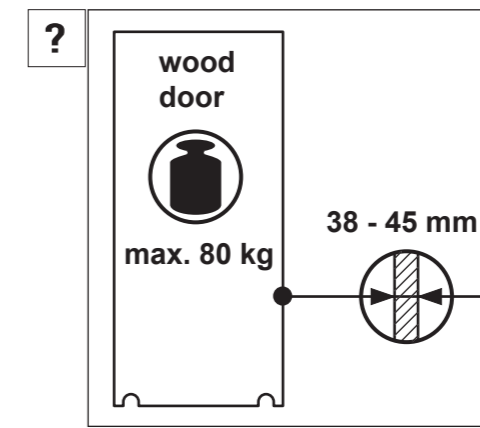


Abb. 4

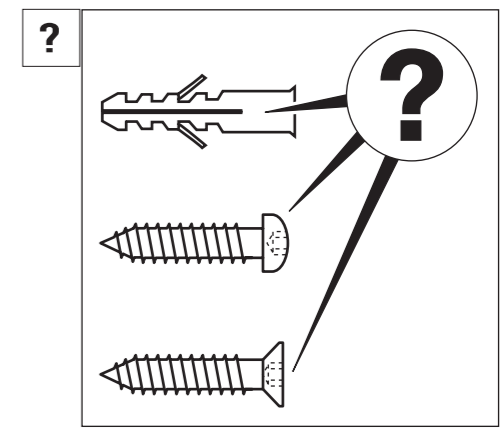


Abb. 5

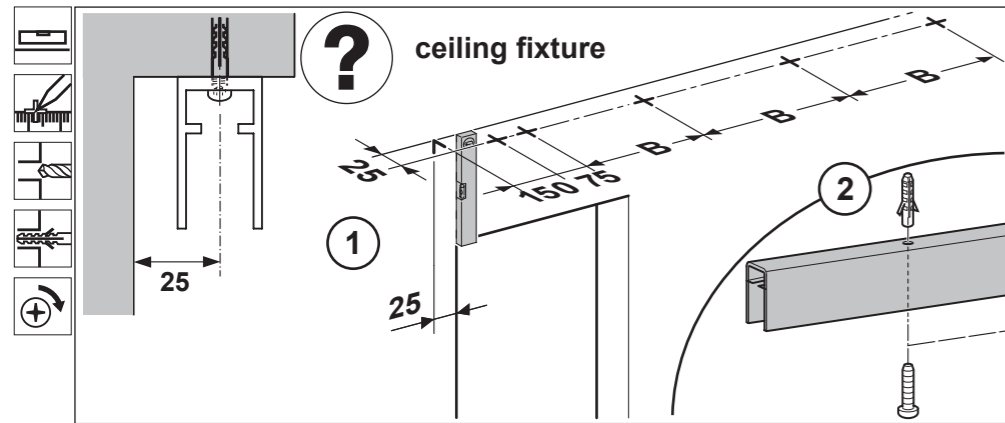


Abb. 6

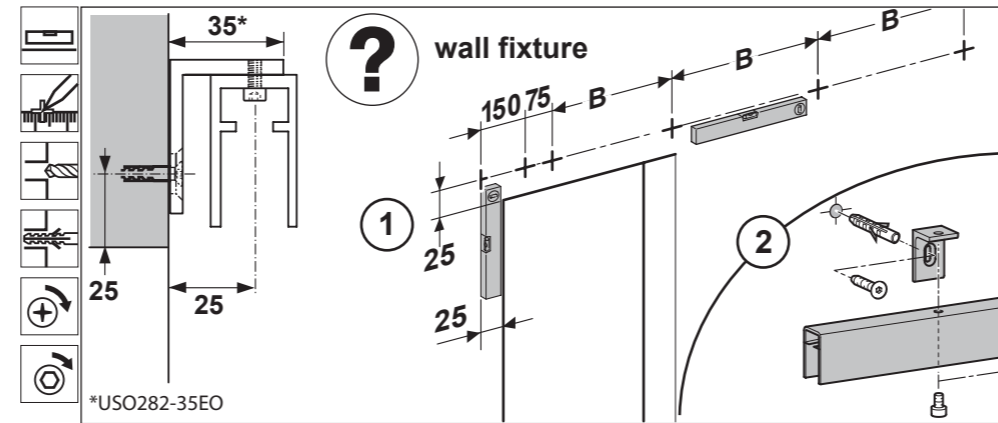


Abb. 7

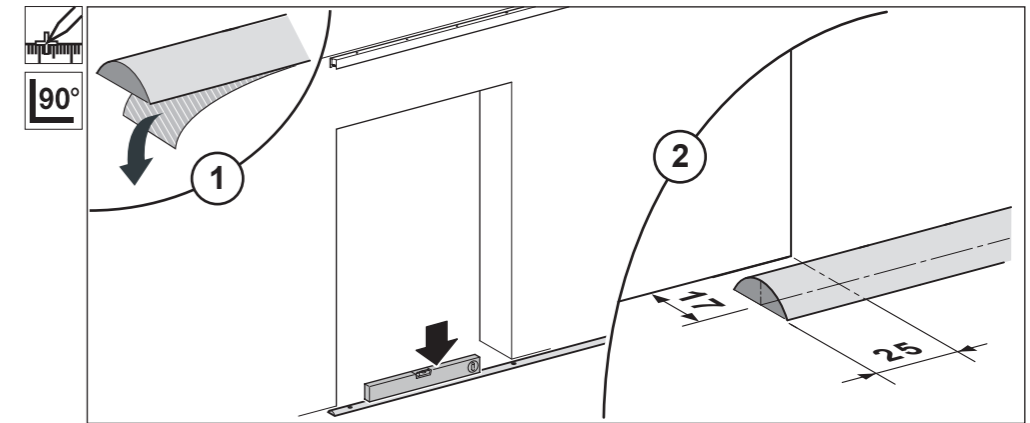


Abb. 8

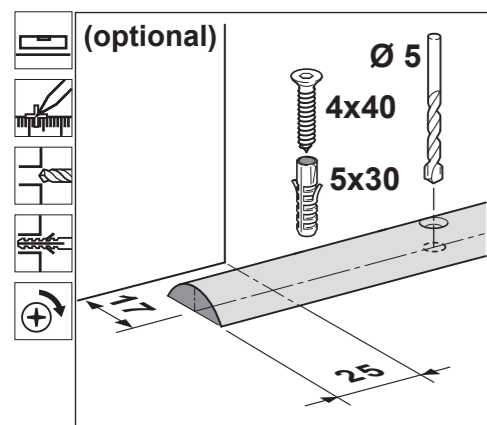


Abb. 9

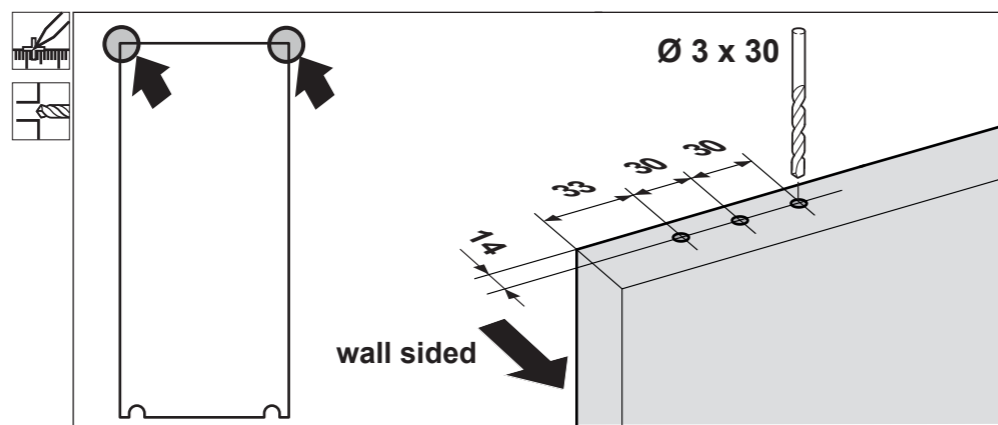


Abb. 10

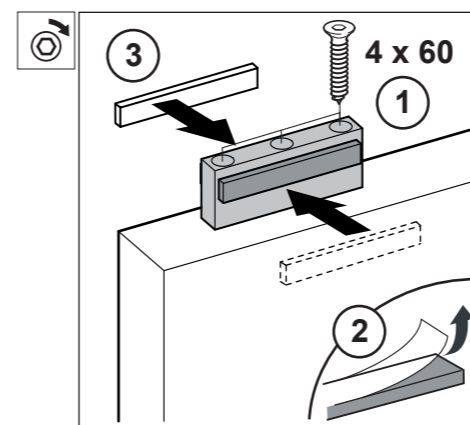


Abb. 11

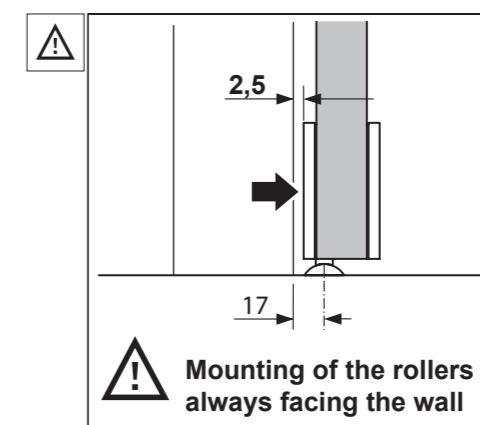


Abb. 12

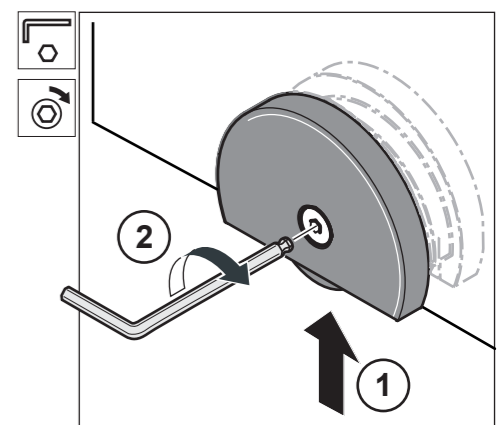


Abb. 13

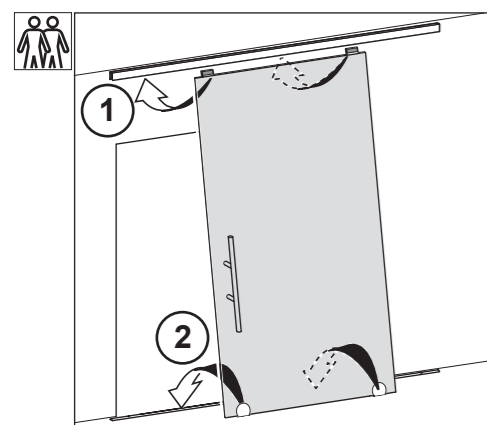


Abb. 14

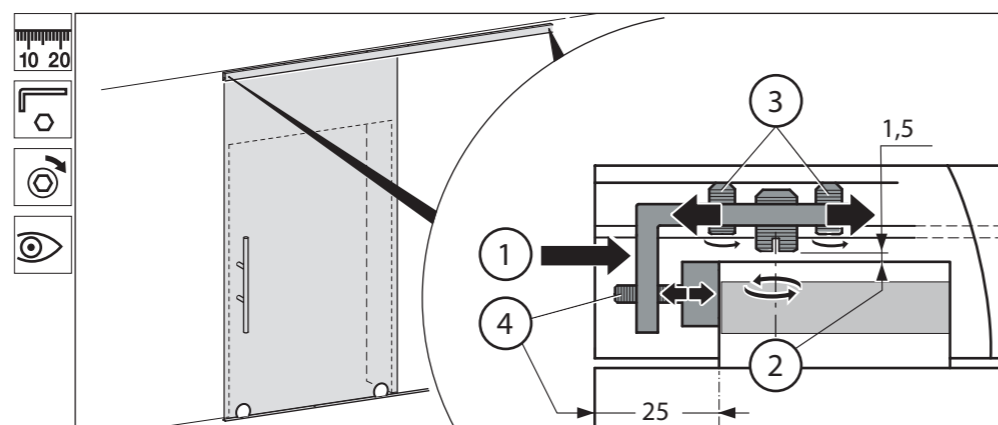


Abb. 15

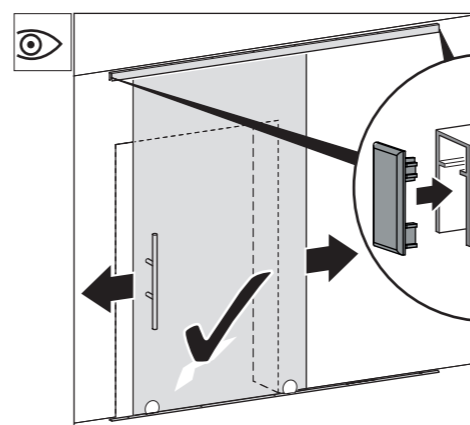


Abb. 16

Sliding door fitting Deeply Move for wood door (38 - 45 mm)